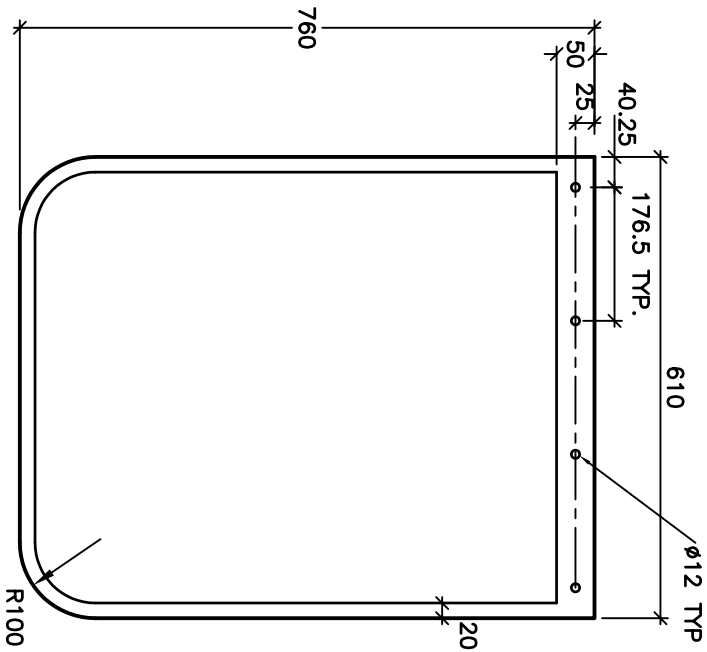
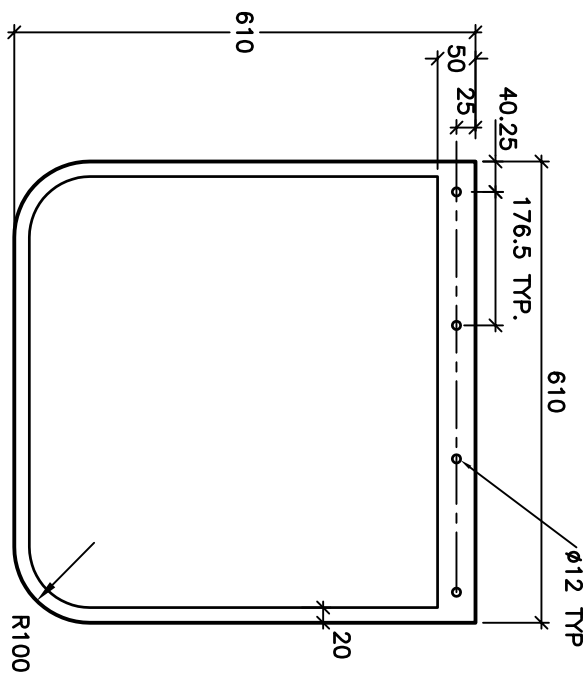


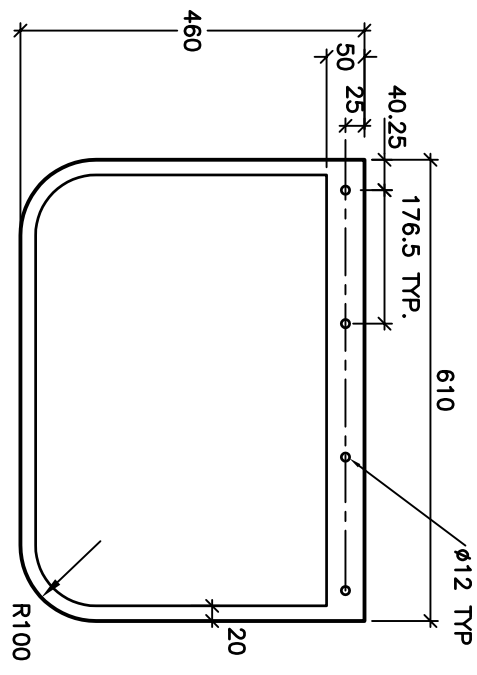
MF610x760  
3179



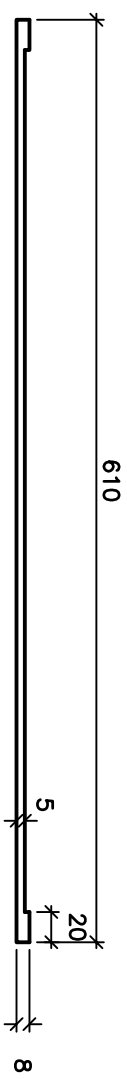
MF610x610  
3178



MF610x460  
3177



TYPICAL SECTION PROFILE



DYNAPLAS INJECTION MOULDED P.V.C MUDDLAPS

**DYNAPLAS PTY LTD**

**PVC MUDDLAPS**

**STANDARDS**



SCALE	N.T.S.	DRAWING No.
DRAWN	b j m	
DATE	19.9.05	REV
		A
		<b>A4-3180</b>