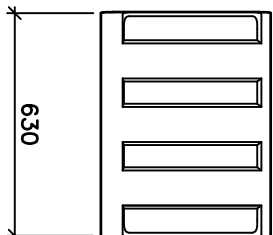
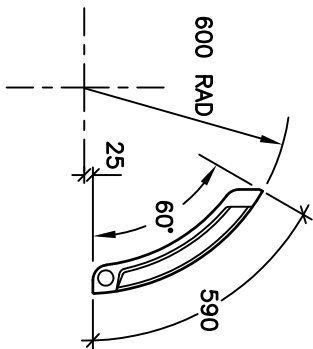


P630/4

QUARTER MUDGUARD
GUARD-209

WEIGHT - 1.60kg

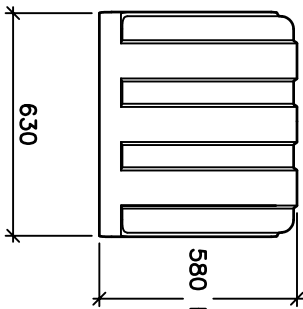
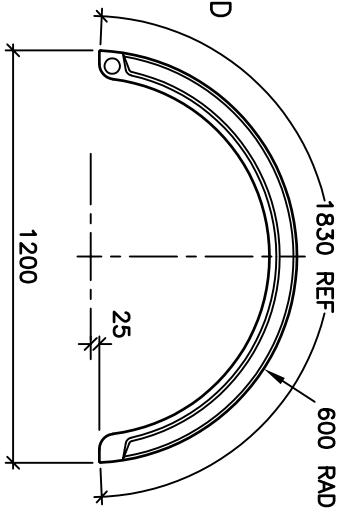


SPRAY SUPPRESSANT LENGTH-1550mm

P630

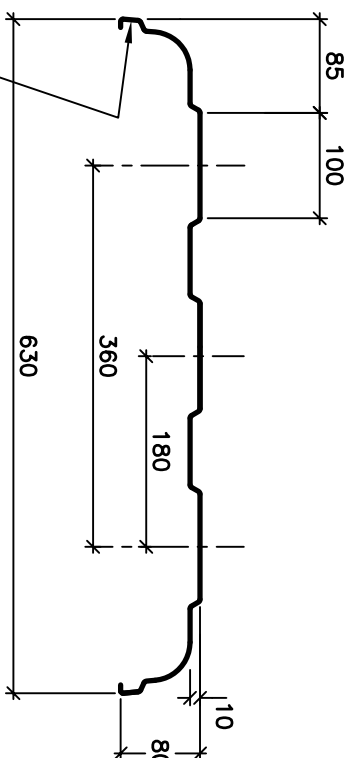
FULL MUDGUARD
GUARD-1234

WEIGHT - 4.50kg



MOULDED
SPRAY SUPPRESSANT
RECESS

SECTION PROFILE



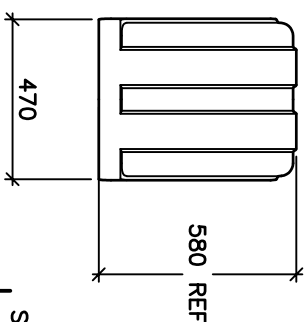
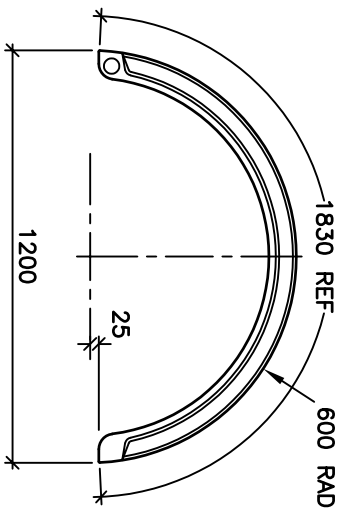
SPRAY SUPPRESSANT LENGTH-1550mm

MATERIAL-MEDIUM DENSITY, U.V. STABILIZED, HIGH STRESS CRACK
RESISTANT, LINEAR THERMOPLASTIC 'POLYETHYLENE'.
THICKNESS-4.5mm NOMINAL
COLOUR-A RANGE OF SOLID COLOURS.

P470

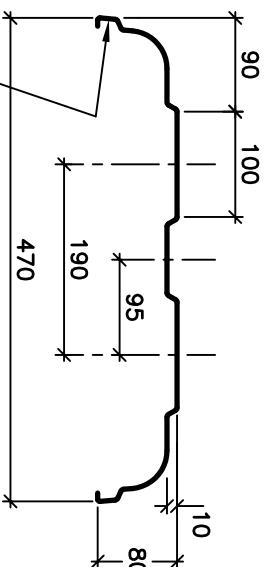
SUPER SINGLE
GUARD-314

WEIGHT - 4.00kg



MOULDED
SPRAY SUPPRESSANT
RECESS

SECTION PROFILE



DYNAPLAS PTY LTD

**POLYETHYLENE
MUDGUARDS**

**P630/4, P630
AND P470**



SCALE N.T.S.

DRAWN B J M

DATE 2.5.97

DRAWING No.

A4-304

REV E